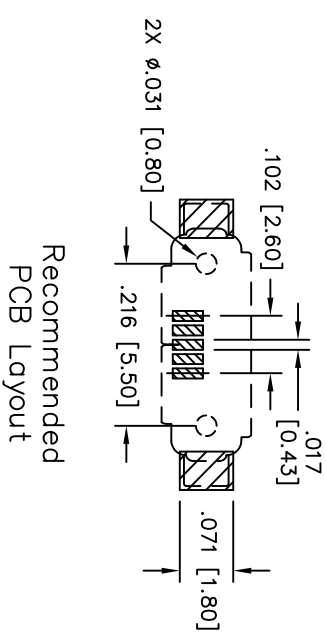
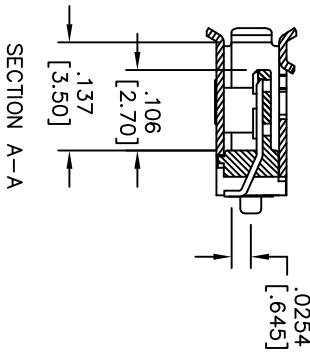
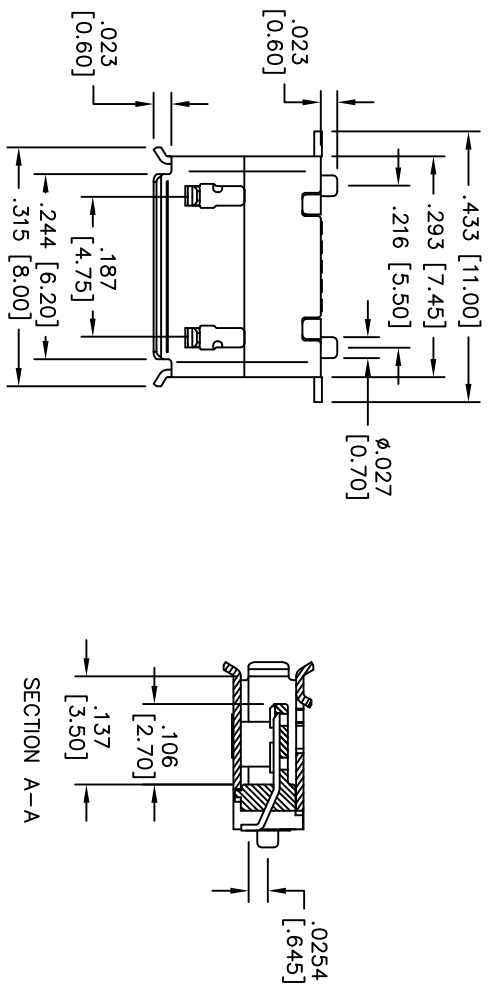


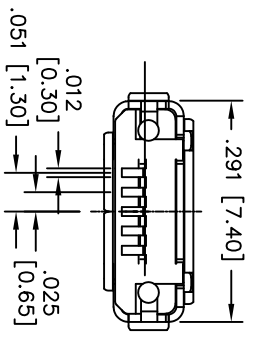
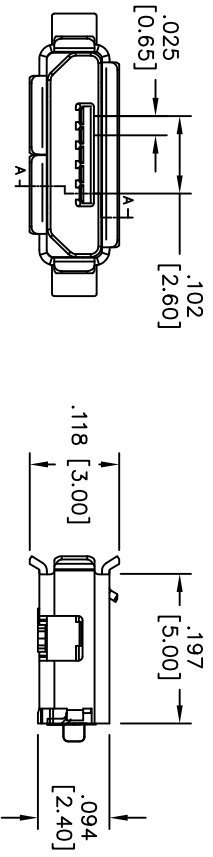
Rev	AWO #	Description	Date	Appr
1		PRELIMINARY	4/7/09	

APPROVED: _____ TITLE: _____
 DATE: _____

NOT AVAILABLE (MOLDING MUST BE OPENED)



Recommended
PCB Layout



SPECIFICATIONS:

- Material: Insulator: Hi-Temp Nylon PA6T, rated UL 94V-0
- Insulator color: Black
- Contacts: Copper Alloy
- Shell: Stainless Steel, Nickel over plated
- Plating: Gold Flash over Nickel overall

- Electrical: Operating voltage: 30 VAC max.
- Current rating: 1 Amp max.
- Contact resistance: 50 mohms max.
- Insulation resistance: 100 Mohms min. @ 500 VDC
- Dielectric withstanding voltage: 250 VAC for 1 minute
- Temperature Rating: Operating temperature: -55°C to +105°C
- Environmental: Lead free, RoHS compliant.
- Recommended soldering temp: 260°C for 5 sec.

PACKAGED ON TAPE AND REEL

ADAM TECH

909 Rahway Avenue, Union, NJ 07083
 Phone: 908-687-5000 Fax: 908-687-5710

TITLE: MICRO USB, TYPE AB, SINGLE PORT
 VERTICAL, SMT, TAPE AND REEL

UNLESS OTHERWISE SPECIFIED ALL DIMENSIONS ARE INCHES [MM] TOLERANCES: EXCEPT AS NOTED	
INCHES	HOLDERS
.X ± .10	ØX ± .10
.XX ± .020	ØXX ± .015
.XXX ± .015	ØXXX ± .010
APPROVALS	DATE
DRAWN SS	4/7/09
CHECKED	
APPROVED	

SIZE	PART NO.	REV.
X	MCR-AB-S-V-TSMT-P-TR	1
REF:	SCALE: NTS	SHEET 1 OF 1